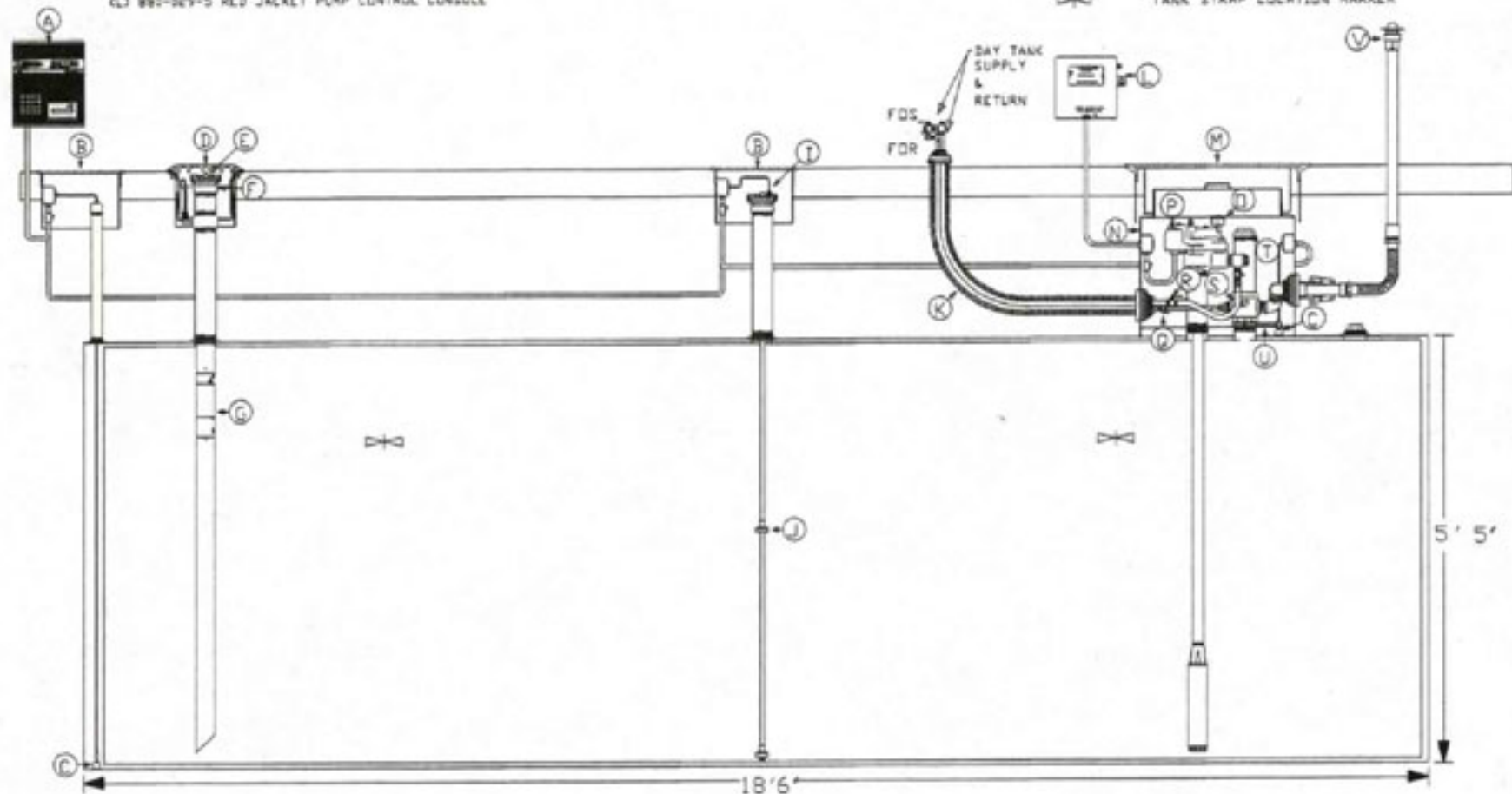


# 3,000gal. MODERN WELDING MODEL 13 GLASTEEL U/L TANK

## EQUIPMENT LIST

- (A) TS1000/2P INCON TANK MONITORING CONSOLE
- (B) 2) 400-186L BAKER 18" MONITOR MANHOLE
- (C) 2) TSP-ULS INCON UNIVERSAL LIQUID SENSOR
- (D) A1004-010 EMCO WHEATON CONTAINMENT MANHOLE
- (E) A97-005 EMCO WHEATON 4" FILL CAP
- (F) A30-014 EMCO WHEATON 4" FILL ADAPTER
- (G) A100-007 EMCO WHEATON OVERFILL VALVE W/DROP TUBE
- (H) TSP-04A INCON 4" CAP KIT
- (J) TSP-LL-69 INCON LIQUID LEVEL TANK PROBE
- (K) 1/2" & 3/4" ENVIROFLEX GENERATOR TUBE SET
- (L) 880-009-5 RED JACKET PUMP CONTROL CONSOLE

- (M) 400-26RLC BAKER 36" RAIN TIGHT MANHOLE
- (N) TAP-42-1685-C WESTERN FIBERGLASS 42" PIPING SUMP
- (O) 116-035-5 RED JACKET FXR MECHANICAL LEAK DETECTOR
- (P) P0330 RED JACKET 1/3HP SUBMERSIBLE PUMP
- (Q) T-100 JOMAR 1/2" BALL VALVE
- (R) T-100 JOMAR 3/4" BALL VALVE
- (S) V421-2020 UNIVERSAL EXTRACTOR HOUSING
- (T) 412-40 UNIVERSAL 4" EXTRACTOR CAP
- (U) TSP-KS INCON ULS MOUNTING BRACKET
- (V) 493016 EMCO WHEATON 2" P/V VENT CAP
- (W) TANK STRAP LOCATION MARKER



**Shields, Harper & Co.**  
AN EMPLOYEE OWNED COMPANY

© Copyright, Shields, Harper & Co., 1988-2003  
All rights reserved

THIS DIAGRAM IS FOR ILLUSTRATION PURPOSES ONLY  
AND IS NOT TO BE RELIED UPON FOR ANY OTHER  
PURPOSE. NO WARRANTY OF MERCHANTABILITY, OF  
FITNESS FOR A PARTICULAR PURPOSE OR OF ANY  
OTHER KIND, EXPRESSED OR IMPLIED, IS HEREBY MADE.

2107 BROADWAY  
OAKLAND, CA 94611  
(913) 883-9118

209 DEL MONTE  
WEST SACRAMENTO, CA 95601  
(916) 873-8449

2817 SOUTH SARAH AVE.  
FRESNO, CA 93706  
(209) 298-8111

123 N. BUCHHOP  
ORANGE, CA 92668  
(714) 814-1978

280 DREX ST., UNIT 11  
ROCKY HILL, CT 06067  
(773) 529-7907

3612 E. SOUTHERN AVE., SUITE 3  
PHOENIX, AZ 85040  
(602) 438-4388

BY: SHG LSC/ND  
DATE: 1/19/00  
SCALE: NONE  
DWG: GENSET-3K  
DWG FILE: 101